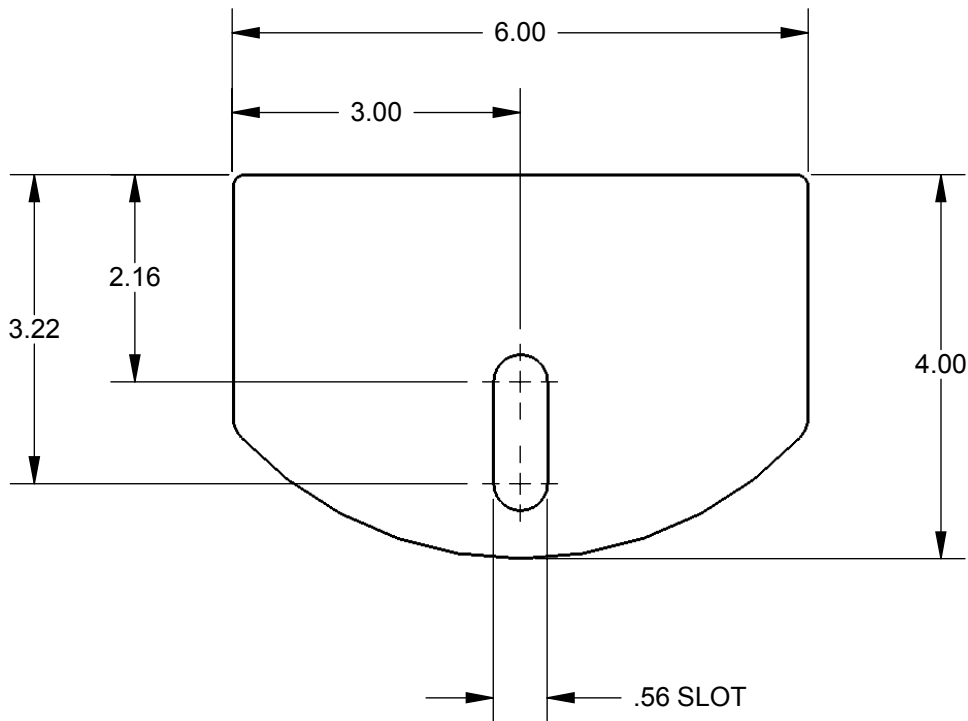
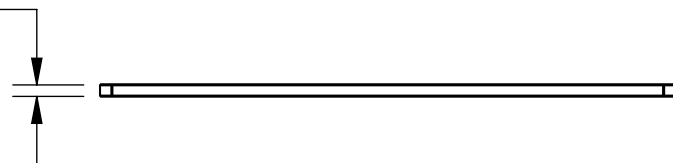
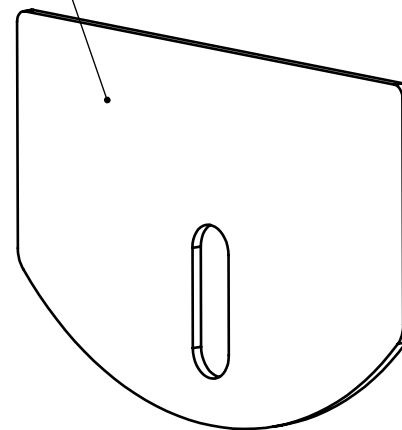


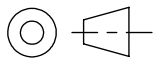
.12 THICKNESS



STEEL



UNLESS OTHERWISE SPECIFIED:
DIMENSIONS ARE IN INCHES



THIRD ANGLE PROJECTION

www.GateHardwareCenter.com

Phone: (800) 878-7829

Fax: (330) 650-9004

Email: sales@GateHardwareCenter.com

TITLE:

4" HC CARRIAGE
PLATES

SIZE

A

DWG. NO.

C12140

REV

A

DATE

SCALE: 1:2

SHEET 1 OF 1

5

↑

4

3

2

1