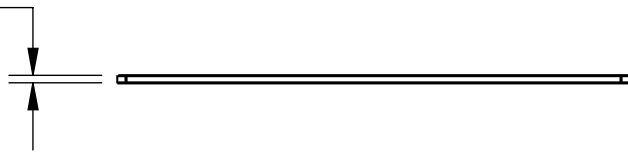
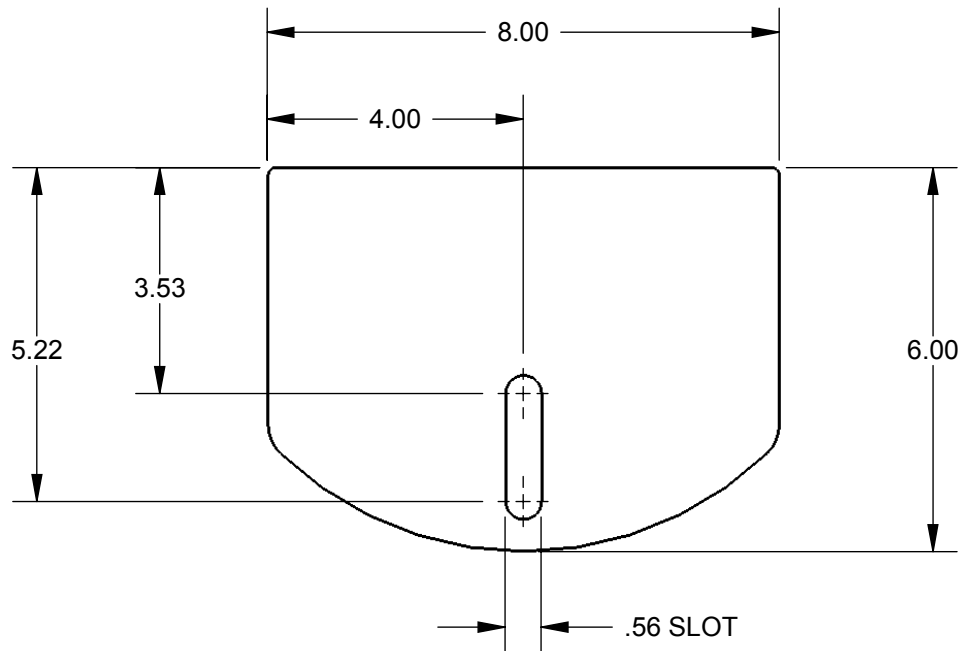
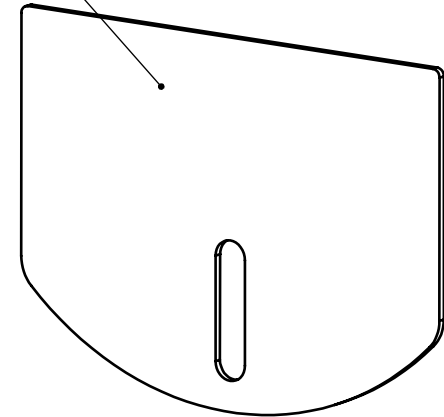


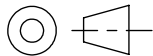
.12 THICKNESS



STEEL



UNLESS OTHERWISE SPECIFIED:  
DIMENSIONS ARE IN INCHES



THIRD ANGLE PROJECTION

www.GateHardwareCenter.com  
Phone: (800) 878-7829  
Fax: (330) 650-9004  
Email: sales@GateHardwareCenter.com

TITLE: 6" HC CARRIAGE PLATES

SIZE <b>A</b>	DWG. NO. C12160	REV <b>A</b>
DATE	SCALE: 1:3	SHEET 1 OF 1

5

↑

4

3

2

1