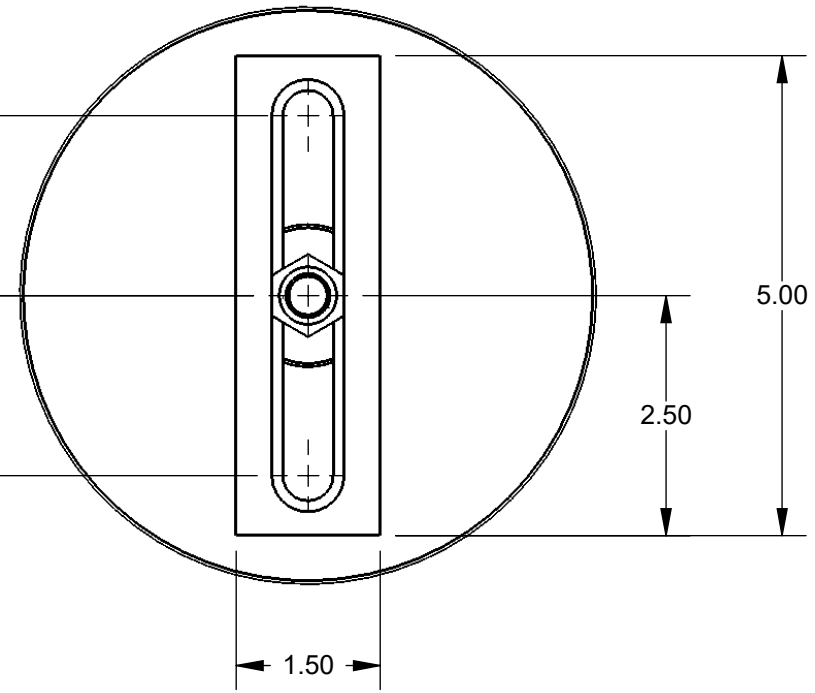
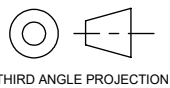


1.88
ADJUSTMENT
RANGE
1.88
ADJUSTMENT
RANGE



UNLESS OTHERWISE SPECIFIED:
DIMENSIONS ARE IN INCHES



www.GateHardwareCenter.com
Phone: (800) 878-7829
Fax: (330) 650-9004
Email: sales@GateHardwareCenter.com

TITLE: 6" HC CANTILEVER		
SIZE A	DWG. NO. C12260	REV A
DATE	SCALE: 1:2	SHEET 1 OF 1