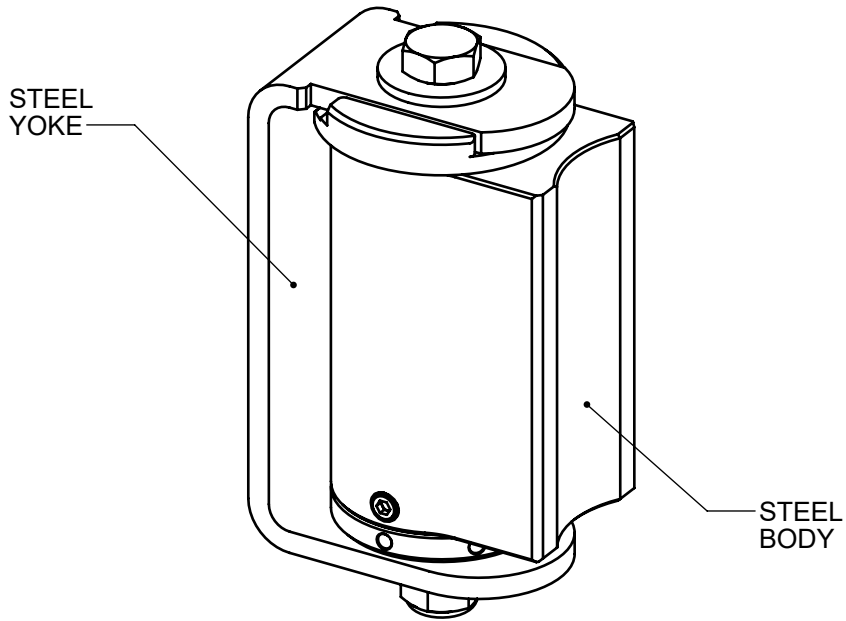
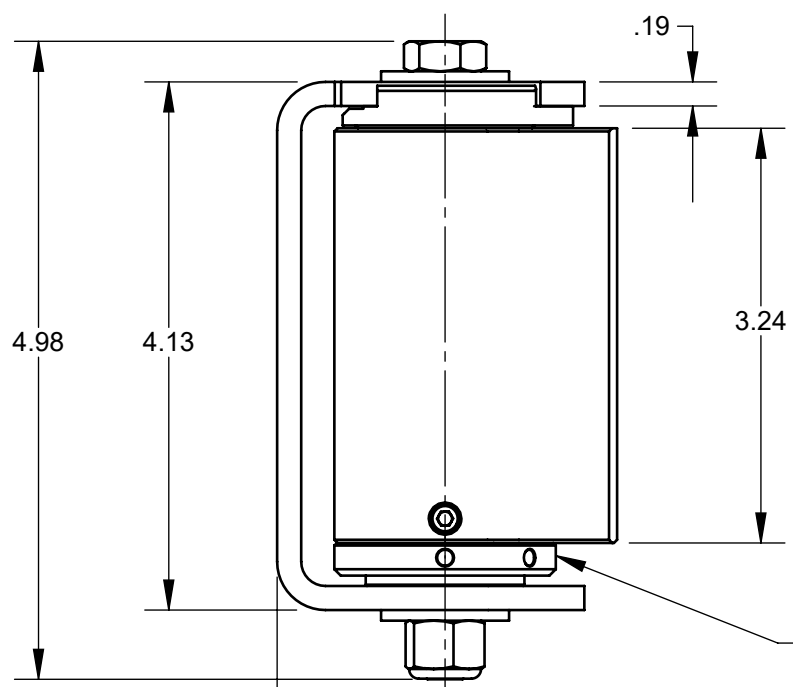
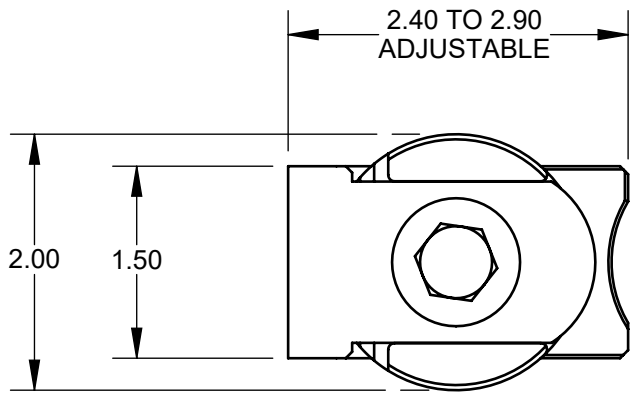
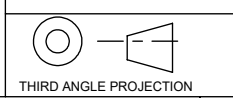


| REVISIONS | | | |
|-----------|-----------------|------|----------|
| REV. | DESCRIPTION | DATE | APPROVED |
| B | INITIAL RELEASE | | |



SPRING TORQUE ADJUSTMENT RING

UNLESS OTHERWISE SPECIFIED:
DIMENSIONS ARE IN INCHES



www.GateHardwareCenter.com
 Phone: (800) 878-7829
 Fax: (330) 650-9004
 Email: sales@gatehardwarecenter.com

| | | |
|--|-------------------------------|-----------------|
| TITLE: SELF CLOSING HINGE ASSEMBLY | | |
| SIZE A | DWG. NO. CI3850 DIMENSIONS | REV B |
| DATE | SCALE: 2:3 | SHEET 1 OF 1 |