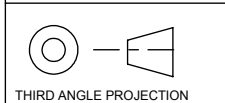


UNLESS OTHERWISE SPECIFIED:
DIMENSIONS ARE IN INCHES



www.GateHardwareCenter.com
 Phone: (800) 878-7829
 Fax: (330) 650-9004
 Email: sales@gatehardwarecenter.com

TITLE:

UPHILL HINGE

SIZE A	DWG. NO. CI3900 DIMENSIONS	REV A
DATE	SCALE: 1:2	SHEET 1 OF 1

5

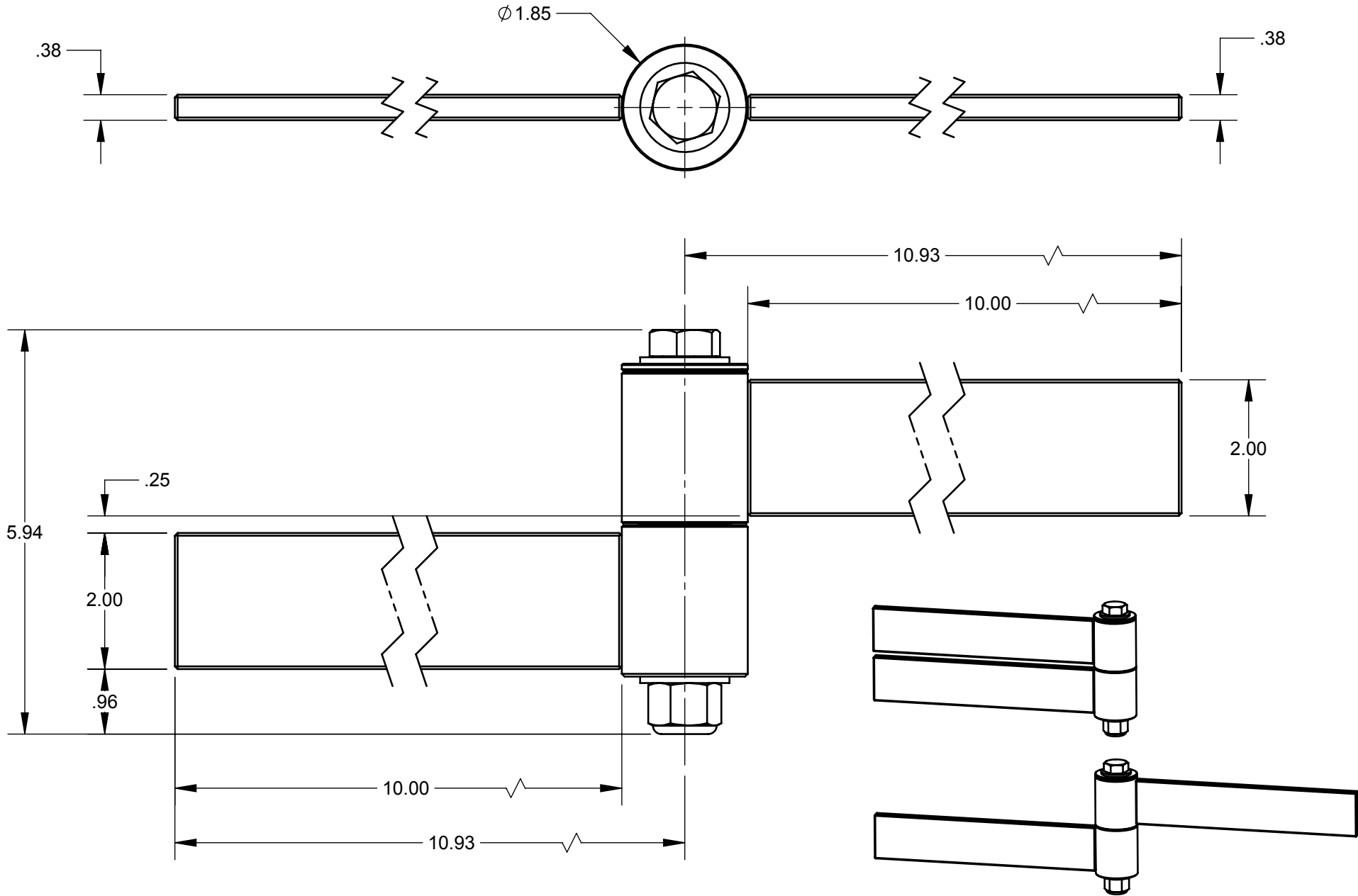


4

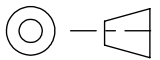
3

2

1



UNLESS OTHERWISE SPECIFIED:
DIMENSIONS ARE IN INCHES



THIRD ANGLE PROJECTION

www.GateHardwareCenter.com

Phone: (800) 878-7829

Fax: (330) 650-9004

Email: sales@gatehardwarecenter.com

TITLE:

UPHILL HINGE - LONG STRAP

SIZE

A

DWG. NO.

CI3925 DIMENSIONS

REV

A

DATE

SCALE: 1:2

SHEET 1 OF 1

5

↑

4

3

2

1