

Secure Home or Commercial Property with Ease: The DC622G Vertical Gate Closer

An open gate is a security risk. Help ensure gates close securely every time.

Featuring innovative 3D Cam-Motion® technology, for effortless operation for ADA applications.

Minimalist and slim design allows for vertical mounting either behind or in front of the gate, providing both aesthetic appeal and functional excellence.



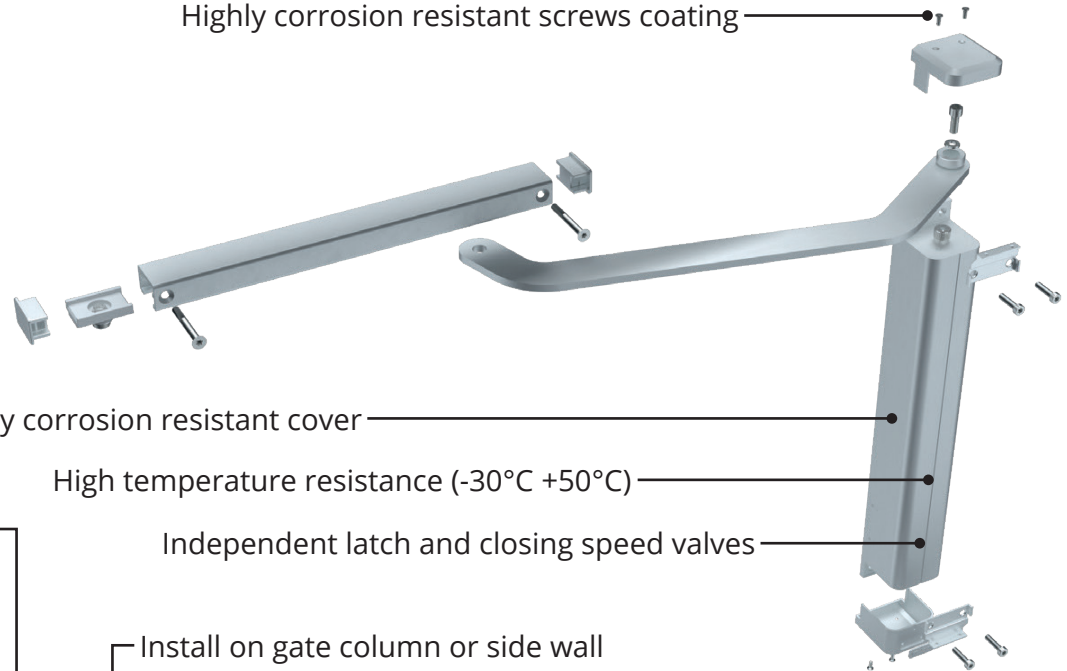
Features

- **Versatile Installation:** Can be mounted on pillars or walls, on both the push and pull sides of the gate.
 - ◊ Ideal for retrofits and new construction.
- **Versatile Compatibility:** Compatible with face or center mounted hinges and almost any pedestrian and security gate.
- **Maximum Gate Size/Weight:** For gates up to 4' 3" wide and 330 lbs.
- **User-Friendly Installation:** No welding required, making setup quick and easy.
- **Adjustable Speeds:** Independently adjustable closing and latch speeds for customized operation.
- **Easy Speed Adjustments:** Side-facing metal vales for easy access.
- **All-Weather Performance:** Consistent operation across a wide range of temperatures.
- **Enhanced Safety:** Pinch-free guide rail for added safety.
- **ADA suitable** for gates with 34" or greater widths.
- **Includes:** all necessary installation hardware, including a guide rail, mounting screws, and rivets.

The **DC622G** can be mounted on the interior side of the gate, suitable for both outward and inward swinging gates. This interior mounting provides better protection from vandalism, ensuring long-lasting performance and security.

Part Number	Description
DC622G-L---EV1-	Vertical Gate Closer Left Hand Silver
DC622G-R-EV1-	Vertical Gate Closer Right Hand Silver
DC622G-L---900	Vertical Gate Closer Left Hand Black
DC622G-R---9004	Vertical Gate Closer Right Hand Black

Highly corrosion resistant screws coating



Highly corrosion resistant cover

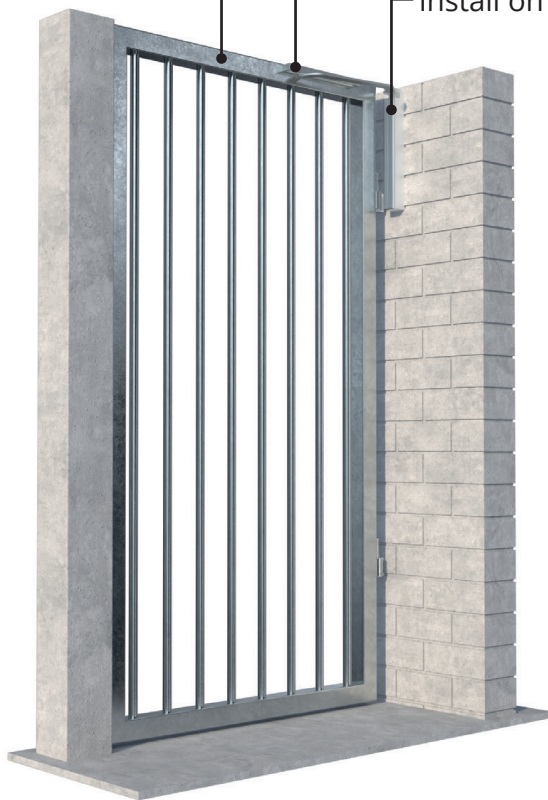
High temperature resistance (-30°C +50°C)

Independent latch and closing speed valves

Up to 130° opening angle

Up to 51" wide gates

Install on gate column or side wall



Mount right-side up or upside down