

NEW

D[®] STAINLESSSteel

White Latch & Self-Closing Hinges

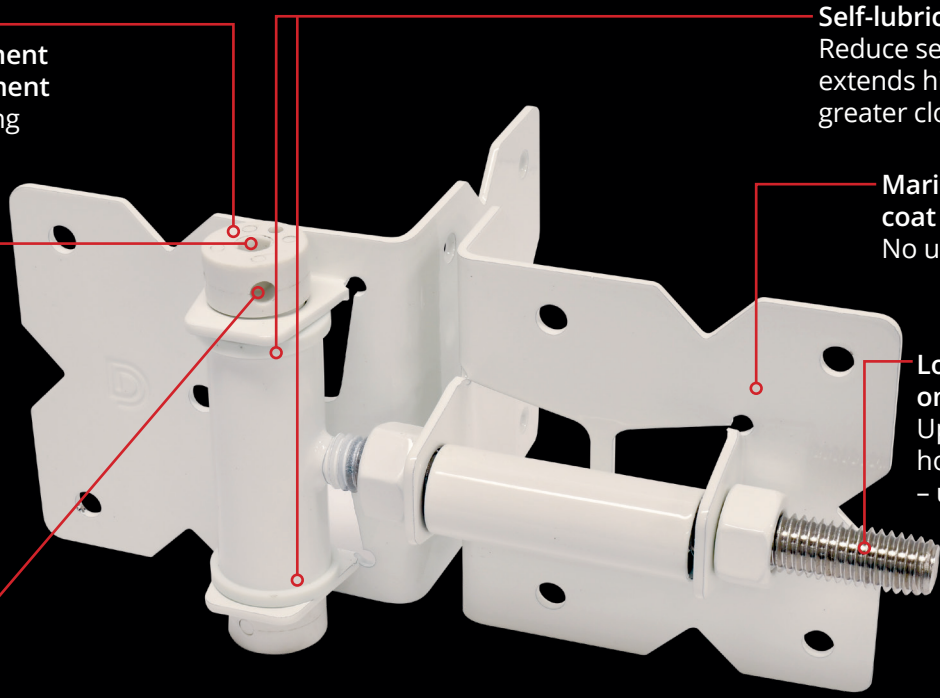
Fully Powder Coated - No Unfinished Surfaces

Rigid, UV-resistant, fiber-reinforced adjustment cap and tension adjustment. Minimizes opening/closing friction.

Robust tension adjustment hex wrench. Adjust tension with an easy turn from top.



Larger tension stop. Simpler to use, fits easily for quick adjustments.



Self-lubricating bushings. Reduce self-closing friction: extends hinge life and 40% greater closing force.

Marine-grade powder coat finish. No unfinished surfaces.

Longer bolt - standard on all models. Up to 50% more horizontal adjustability - up to 2 1/2".



Fasteners Included
Self-drilling, 410 stainless steel plus Ruspert finish for corrosion protection

New packaging takes less space
Reducing storage space and shipping costs



Standard Post Latch - Standard to Narrow Side Fixing Legs

- Operates and locks from both sides of the gate
- Horizontally adjustable
- Allows most padlock sizes - padlock not included

Why D&D Stainless Steel Hinges Are Better

- Unmatched range of horizontal adjustability up to 2 1/2"
- Powder coat finish - no unfinished surfaces
- Stainless steel construction with V-notch styling
- Standard and narrow side legs available
- Models available for a wide range of post and gate frame sizes
- Non-spring versions available in regular and heavy-duty
- Stainless steel fasteners included - 410 stainless steel 14g x 1" self-drilling head
- For vinyl and wood gates

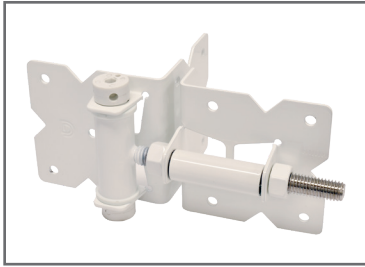


DDSL2W

D&D Technologies[®]
World's most trusted gate hardware

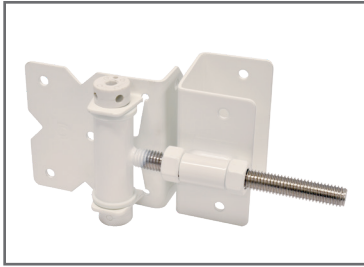


STAINLESSSteel



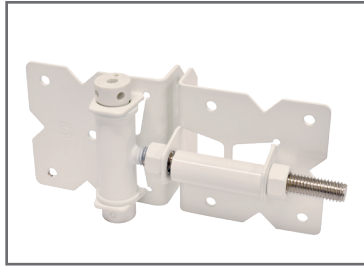
DDS2HSNAW

Regular Hinge - Self-closing,
tension adjustable
Standard to Narrow



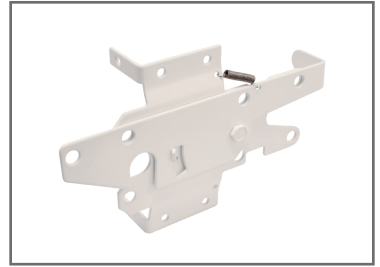
DDS2HNW3AW

Regular Hinge - Self-closing,
tension adjustable
Narrow to Wrap 2"



DDS2HNNAW

Regular Hinge - Self-closing,
tension adjustable
Narrow to Narrow



DDSL2W

Standard
Post Latch
Standard to Narrow

CODE	MODEL / FEATURE	SIDE FIXING LEGS	GAP VARIANCE	COLOR	FASTENERS INCLUDED	SOLD AS
DDS2HSNAW	Regular Hinge - Self-closing, tension adjustable	Standard to Narrow	$\frac{5}{8}'' - 1 \frac{9}{16}''$ (16 - 38mm)	White	Self-drilling 410 Stainless Steel	Pair
DDS2HNW3AW	Regular Hinge - Self-closing, tension adjustable	Narrow to Wrap 2" Gate Frame	$\frac{5}{8}'' - 2 \frac{1}{2}''$ (16 - 64mm)	White	Self-drilling 410 Stainless Steel	Pair
DDS2HNNAW	Regular Hinge - Self-closing, tension adjustable	Narrow to Narrow	$\frac{5}{8}'' - 1 \frac{9}{16}''$ (16 - 38mm)	White	Self-drilling 410 Stainless Steel	Pair
DDSL2W	Standard Post Latch	Standard to Narrow	$\frac{3}{4}'' - 1 \frac{1}{2}''$ (19 - 38mm)	White	Self-drilling 410 Stainless Steel	Each

D&D Technologies®
World's most trusted gate hardware